

Plastic Folding Chairs Specifications

Features:

- Reinforced Double Tubing
- Beveled Plastic Seat & Back
- Durable Orbital Rivets
- Metal Insert in Seat at Rivets

Benefits:

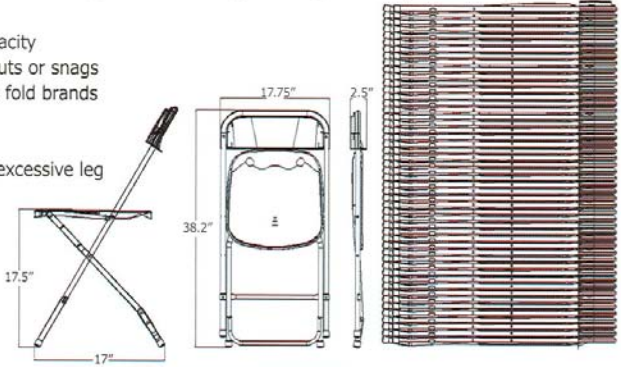
- 1,000+ lbs. static load capacity
- Rounded edges prevents cuts or snags
- Interstacks with other poly fold brands
- Scratch resistant finish
- Stronger leg pivot points
- Superior materials reduce excessive leg and frame flex

The "Max" Poly Performance are specifically designed for the durability you require. As a result, our "Max" Poly Performance chairs can hold 1000+lbs!



SPECIFICATIONS

Seat Height	Overall Height	Width	Weight	Seat Depth	Footprint
17.5"	31.5"	17.75"	8.0lb	15.5"	17"L x 17.75"W



Fine quality and practical design make this folding chair perfect for your event.
They are safe for indoor or outdoor use.